

# ONEPOLE



## Installation Manual

Q9MSQ | ONEPOLE LITE 1200 SINGLE CC140

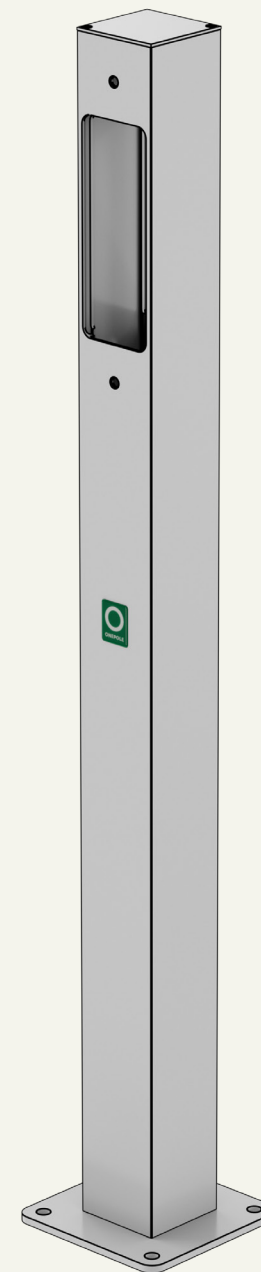
### Technical data



Rev.1.0 - 2025 - English

This document and all information and data herein or herewith is the confidential and proprietary property of ONEPOLE AS and is not to be used, reproduced or disclosed in whole or in part by or to anyone without the written confirmation from ONEPOLE AS.

[www.onepole.no](http://www.onepole.no)



Recycle as: Metal

Compliant with the following standards and directives:

IEC 61439-7,  
RoHS, IP44, IK10



## Safety Information



The installation must only be carried out by authorized personnel and comply with the applicable regulations in the country of installation. Disconnect the power before installation and maintenance of the system. Use only original accessories and approved parts.

## Sikkerhetsinformasjon



Die Installation darf nur von autorisiertem Personal durchgeführt werden und muss den geltenden Vorschriften des Installationslandes entsprechen. Trennen Sie die Stromversorgung vor der Installation und Wartung des Systems. Verwenden Sie nur Originalzubehör und zugelassene Teile.

## Sikkerhetsinformasjon



Installasjonen må kun utføres av autorisert personell og være i samsvar med gjeldende forskrifter i installasjonslandet. Koble fra strømmen før installasjon og vedlikehold av systemet. Bruk kun originalt tilbehør og godkjente deler.

## Sikkerhedsinformation



Installation må kun udføres af autoriseret personale og skal overholde de gældende regler i installationslandet. Afbryd strømmen før installation og vedligeholdelse af systemet. Brug kun originalt tilbehør og godkendte dele.

## Säkerhetsinformation



Installation får endast utföras av auktoriserad personal och måste följa gällande föreskrifter i installationslandet. Koppla bort strömmen före installation och underhåll av systemet. Använd endast originaltillbehör och godkända delar.

# PEDESTAL

## Q9MSQ

ONEPOLE LITE 1200  
SINGLE CC140

### INCLUDES:

- 1x Aluminium profile (1139x90x90mm)
- 1x Footplate CC140 (178x178x8mm)
- 1x Top Lid
- 1x Blind Lid
- Corresponding screws and washers

### NOT INCLUDED:

- Mounting Bracket
- Cable holder
- Roof Cover
- Lighting Kit
- Foundation
- Expansion Bolts

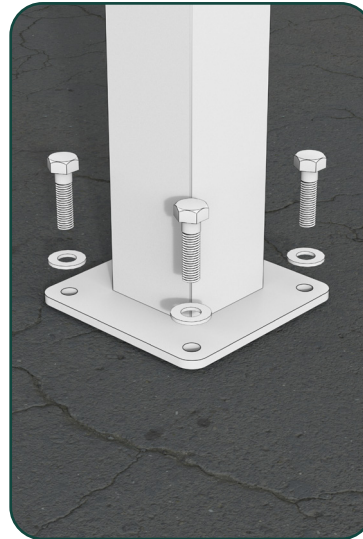
### IMPORTANT NOTICE!



The ONEPOLE pedestal is a Class 1 product, which requires proper grounding for safety. It features an exposed conductive part that may carry a potential electric current, making grounding essential to ensure electrical safety.



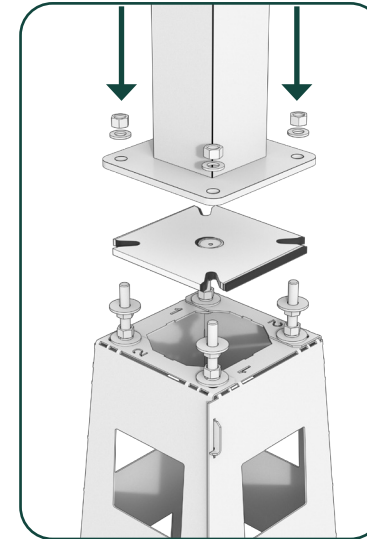
The installer is responsible for ensuring that the product is installed in accordance with the standards applicable in the country where the installation takes place



1. If surface-mounted, securely fasten the pedestal to the ground or ceiling using appropriate M12 bolts and washers.

The pedestal must be mounted vertically

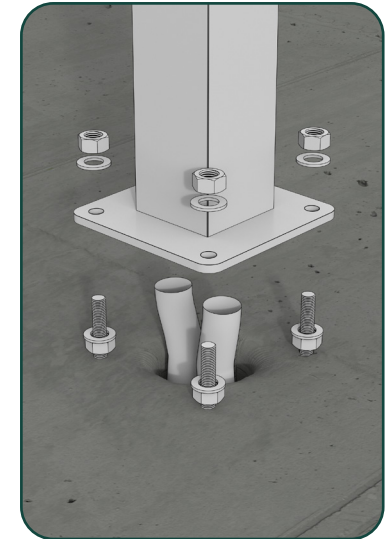
Tighten the fasteners to the recommended torque specification



2. We recommend using a foundation (sold separately) for secure, robust, and well-drained anchoring of the pedestal.

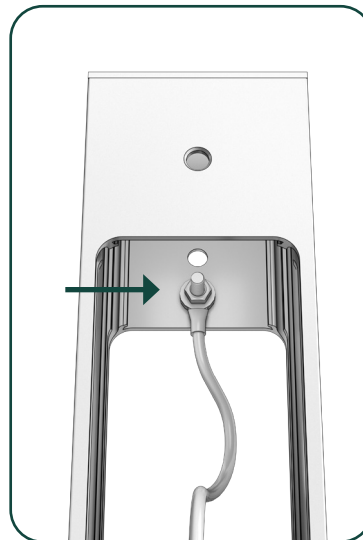
For burial in the ground, use the **Onepole Pro Base Mount**

For leveling of the foundation, use the **Onepole Pro Bullseye Leveler**



3. An alternative fastening method is to cast an anchoring frame in concrete. This also provides a stable and secure attachment for the pedestal. Please refer to the dedicated installation guide for this method

For embedding in concrete, use the **Onepole Pro Anchor Frame**



4. Perform the necessary wiring to the charging station(s) and ensure that the grounding of the pole is connected in the designated area



5. Proceed with the installation of the charging brackets and desired accessories. Refer to the separate installation guide for accessories and additional equipment



6. Ensure to thoroughly review and follow the maintenance instructions for optimal lifetime performance of your Onepole products