



# Instructions for Installation of Industrial and Commercial Inverters in Different Scenarios

**SUNGROW**



## Contents

---

<b>1</b>	<b>Document Overview .....</b>	<b>1</b>
1.1	Introduction .....	1
1.2	Applicability .....	1
1.3	Target Audience.....	2
1.4	Use of Symbols .....	2
<b>2</b>	<b>Installation Requirements .....</b>	<b>3</b>
2.1	Safety Precautions .....	3
2.2	Installation Environment Requirements .....	5
<b>3</b>	<b>Vertical Rack Mounting .....</b>	<b>6</b>
3.1	Mounting Under the Module.....	6
3.1.1	Application scenario.....	6
3.1.2	Spacing requirements .....	6
3.2	Mounting Near the Module.....	7
3.2.1	Application scenario.....	7
3.2.2	Precautions .....	8
3.2.3	Spacing requirements .....	8
3.3	Back to Back Installation.....	9
3.3.1	Application scenario.....	9
3.3.2	Spacing requirements .....	9
3.4	Floating Power Plant.....	10
3.4.1	Application scenario.....	10
3.4.2	Precautions .....	10
3.4.3	Center of gravity .....	11
3.4.4	Special requirements for fixed cables.....	14
<b>4</b>	<b>Wall Mounting .....</b>	<b>17</b>

4.1	Application scenario .....	17
4.2	Installation spacing requirements .....	17
4.2.1	Spacing for installing an inverter .....	17
4.2.2	Spacing for installing more than one inverter .....	18
<b>5</b>	<b>Flat Installation.....</b>	<b>22</b>
5.1	Application scenario .....	22
5.2	Rack preparation .....	22
5.2.1	Rack requirements .....	22
5.2.2	Rack dimensions .....	23
5.3	Installation spacing requirements .....	23
5.3.1	Spacing for installing an inverter .....	24
5.3.2	Spacing for installing more than one inverter .....	24
<b>6</b>	<b>Sunshade.....</b>	<b>27</b>
6.1	Top sunshade .....	27
6.1.1	Precautions .....	27
6.1.2	Sunshade dimensions .....	27
6.2	Flat Sunshade .....	28
6.2.1	Precautions .....	29
6.2.2	Sunshade dimensions .....	29
<b>7</b>	<b>Appendix .....</b>	<b>32</b>
7.1	Uncovering .....	32
7.2	Fan Maintenance.....	32
7.3	Spacing requirements for installing other devices.....	36

# 1 Document Overview

## 1.1 Introduction

This document describes the precautions and installation requirements of industrial and commercial inverters in several scenarios, including vertical rack installation, wall installation, and flat installation. Please read this document carefully before installing the inverter.

Without the consent of Sungrow Power Supply Co., Ltd., no part of this document may be distributed, reproduced, or disclosed to a third party or uploaded to a third party platform such as a public network.

This document is the V1.0 version officially archived, and the updated version shall prevail if any subsequent optimizations are made.

## 1.2 Applicability

This document is intended for the following devices.

- SG25CX-SA
- SG30CX
- SG33CX
- SG40CX
- SG50CX
- SG36CX-US
- SG60CX-US
- SG100CX
- SG110CX
- SG136TX
- SG25CX-P2
- SG30CX-P2
- SG33CX-P2
- SG36CX-P2
- SG40CX-P2
- SG50CX-P2
- SG75CX-P2
- SG110CX-P2

- SG125CX-P2

### 1.3 Target Audience





The inverter can only be installed by professional technicians. The professional technicians shall meet the following requirements:

- They have received the relevant training.
- They have read this document thoroughly and understand the safety precautions related to the operations.
- They are familiar with local standards and relevant safety regulations for electrical systems.

### 1.4 Use of Symbols

To ensure the safety of the persons and property of users when they use the product and to make sure that the product is used in an optimal and efficient manner, this manual provides users with the relevant safety information highlighted by the following symbols.

The symbols used in this document are listed below. Please pay attention to them while reading to make better use of this document.

Symbol	Description
	Indicates an imminently hazardous situation which, if not avoided, will result in death or serious injury.
	Indicates a moderately hazardous situation which, if not avoided, may result in death or serious injury.
	Indicates a slightly hazardous situation which, if not avoided, may result in minor or moderate injury.
<b>NOTICE</b>	Indicates a potential hazard which, if not avoided, may result in device malfunction or property damage.
	Indicates content added for emphasis or to provide supplemental information. This can include tips or tricks for product optimization, which can help you solve a problem or save time.

## 2 Installation Requirements

### 2.1 Safety Precautions

#### **Danger**

Before installing, check whether the inverter was damaged during transportation and ensure that the inverter has no electrical connections.

#### **Danger**

Before making any electrical connections, make sure that the photovoltaic string is covered with opaque materials or the circuit breaker on the DC side is disconnected. Exposing the photovoltaic string to sunlight will generate hazardous voltage!

#### **Danger**

Before performing any maintenance operations, the following steps must be followed:

- First, disconnect the AC circuit breaker on the grid side, and then disconnect the DC switch.
- Wait for at least 5 minutes (15 minutes for SG25/30/33/36/40/50CX-P2) until all electricity has been discharged from the internal battery storage components before any maintenance or repair work is carried out inside the equipment.
- Test with a tester to make sure that there is no voltage or current.

#### **Warning**

The inverter can only be installed by professional technicians.

- The cables used in the PV generation system must be firmly connected, in good condition, well insulated, and of appropriate specifications.

**⚠ Caution**

**Danger of burns!**

While the inverter is in operation, only the DC switch can be touched. Never touch hot parts of the device (such as the radiator) during operation.

**⚠ Caution**

The inverter can be handled manually or by hoisting, depending on site conditions.

**Improper handling may cause injury!**

Arrange an appropriate number of personnel to carry the inverter according to its weight, and installation personnel should wear protective equipment such as anti-impact shoes and gloves..

- Attention must be paid to the center of gravity of the inverter to avoid tilting during handling.

When hoisting the inverter, always maintain its balance to avoid collision with walls or other obstacles. In case of bad weather, such as heavy rain, fog, or wind, hoisting shall be stopped.

**⚠ Caution**

**Poor ventilation in the installation environment will affect system performance!**

- The heat sink of the device must not be covered to ensure sufficient cooling inside the device.

**NOTICE**

All electrical connections must comply with local and national electrical standards.

The inverter can be connected to the grid only after obtaining the permission of the local electricity department.

**NOTICE**

The inverter can be restarted only after the faults affecting the safety performance



**of the inverter are eliminated.**

#### NOTICE

**Touching the PCB or other static-sensitive devices may cause damage to the device.**

- **Do not touch the circuit board unless absolutely necessary.**
- **Observe the electrostatic protection norms and wear an anti-static wrist strap.**

## 2.2 Installation Environment Requirements

- The installation environment must be free of flammable or explosive materials.
- Keep the inverter out of reach of children.
- The inverter should be protected from direct sunlight, rain, and snow.
- The inverter shall be installed on a support with a maximum load-bearing capacity more than 4 times the weight of the inverter.
- The temperature and humidity shall be within the working temperature range and working humidity range of the inverter.
- The inverter shall be mounted at a height that makes the LED light indicator panel legible and the switch easy to use.
- The inverter produces noise while in operation, so we do not recommend installation in residential areas.
- The inverter shall be mounted in the area where there is no interference from other power and electronic equipment.
- The inverter cannot be installed in salt stress areas, e.g. coastal areas within 500m from the coast. The amount deposited by a salt fog is correlated to the characteristics of the sea water, winds, precipitation, air humidity, topography, and forest coverage of adjacent water bodies or seas. As a result, there are substantial differences between different coastal areas.

## 3 Vertical Rack Mounting

The inverter can be mounted directly on a vertical rack, or be installed on the column by using a clamp.

### 3.1 Mounting Under the Module

#### 3.1.1 Application scenario

This mounting method is commonly used in ground-based distributed power plants. Usually, the inverter is mounted directly on the fixed support of the module or mounted on the column under the module by using a clamp.



#### 3.1.2 Spacing requirements

The inverter shall be installed in an area where there is sufficient space to ensure proper ventilation.

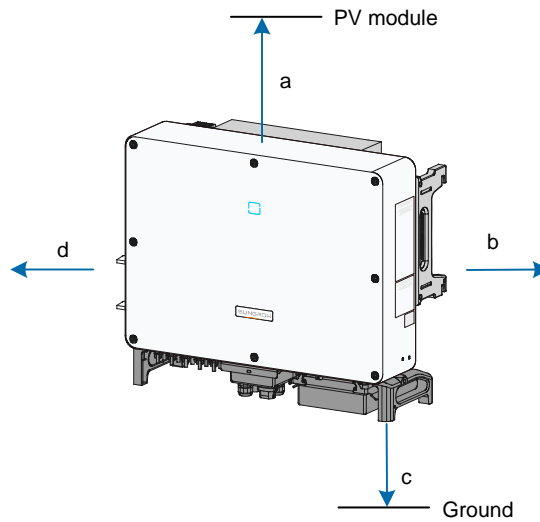


Table 3-1 Minimum mounting spacing (unit: mm)

Model	Top (a)	Right (b)	Bottom (c)	Left (d)
SG25CX-SA	500	200	650	600*
SG30/33/40/50CX				
SG36/60CX-US	500	200	650	450*
SG100/110CX	600	400	450	800*
SG136TX				
SG25/30/33/36/40/50CX-P2	500	600	650	600*
SG75/110/125CX-P2	200	600	450	600*

\*The spacing can be reduced to 200mm according to site conditions. When the spacing is less than that specified in the table, the inverter must be lifted off the rack before fan maintenance operations.

## 3.2 Mounting Near the Module

### 3.2.1 Application scenario

This mounting method is common in large-scale industrial and commercial plants or complex hillside power plants. To reduce cable costs, the photovoltaic inverter is suspended on a standalone rack, which is installed near the module.



### 3.2.2 Precautions

- The inverter shall be sited in such a way that the inverter's shadow will not block the modules under various lighting conditions.
- We recommend that you add a sunshade to the inverter to avoid exposure to the sun. This will increase the yield and extend the life of the inverter.

### 3.2.3 Spacing requirements

The inverter shall be installed in an area where there is sufficient space to ensure proper ventilation.

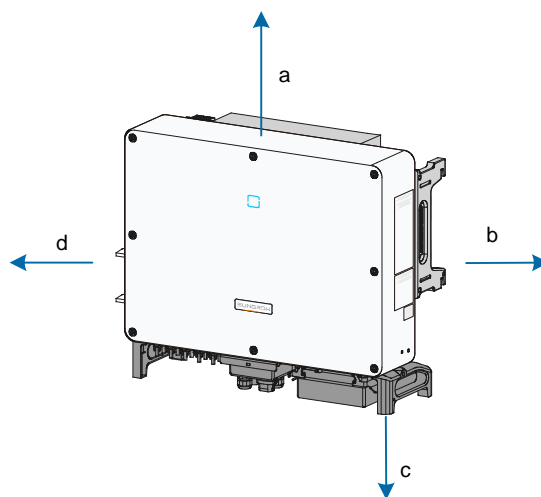


Table 3-2 Minimum mounting spacing (unit: mm)

Model	Top (a)	Right (b)	Bottom (c)	Left (d)
SG25CX-SA SG30/33/40/50CX	500	200	650	600*
SG36/60CX-US	500	200	650	450*
SG100/110CX SG136TX	600	400	450	800*
SG25/30/33/36/40/50CX-P2	500	600	650	600*
SG75/110/125CX-P2	200	600	450	600*

\*The spacing can be reduced to 200mm according to site conditions. When the spacing is less than that specified in the table, the inverter must be lifted off the rack before fan maintenance operations.

### 3.3 Back to Back Installation

#### 3.3.1 Application scenario

This mounting method is common in small ground power plants or distributed roofs. Photovoltaic inverters are installed back to back on hanging plates in order to reduce cable costs and save installation space.



#### 3.3.2 Spacing requirements

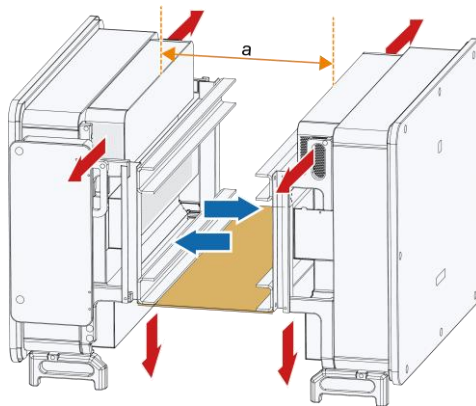
When installing the inverters back to back, a certain distance should be left between the

two inverters.

Table 3-3 Minimum Spacing Requirements for Back-to-back Installation (Unit: mm)

Model	Spacing (a)
SG25CX-SA	500
SG30/33/40/50CX	500
SG36/60CX-US	500
SG100/110CX	500
SG136TX	500
SG25/30/33/36/40/50CX-P2	200
SG75/110/125CX-P2	600

If the spacing requirements cannot be satisfied, a baffle shall be added between the two inverters to create a heat dissipation channel (not recommended). The baffle is placed horizontally between the two inverters and cannot block the air outlet.



## 3.4 Floating Power Plant

### 3.4.1 Application scenario

Floating power plants mainly generate power through photovoltaic modules installed on water platforms formed in ponds, small and medium-sized lakes, reservoirs, impounding reservoirs, and coal mining subsidence areas.

Inverters installed on a floating body shall be suspended vertically on a rack.

### 3.4.2 Precautions

- Pay attention to the installation of the floating platform for electrical equipment. Due to the deadweight of the platform and electrical equipment and the limited water depth on

the shore, it is necessary to select a crane with the right tonnage and lifting radius according to the site conditions.

- During installation, pay attention to protecting the floating platform to avoid collision and damage to the anticorrosive coating.
- The shadow of the photovoltaic modules on the surrounding floating body should be taken into consideration.
- We recommend that you add a sunshade to the inverter to avoid exposure to the sun. This will increase the yield and extend the life of the inverter.

### 3.4.3 Center of gravity

You shall not install the inverter horizontally. It must be installed vertically on a floating body. The inverter can be fixed in place according to its center of gravity.

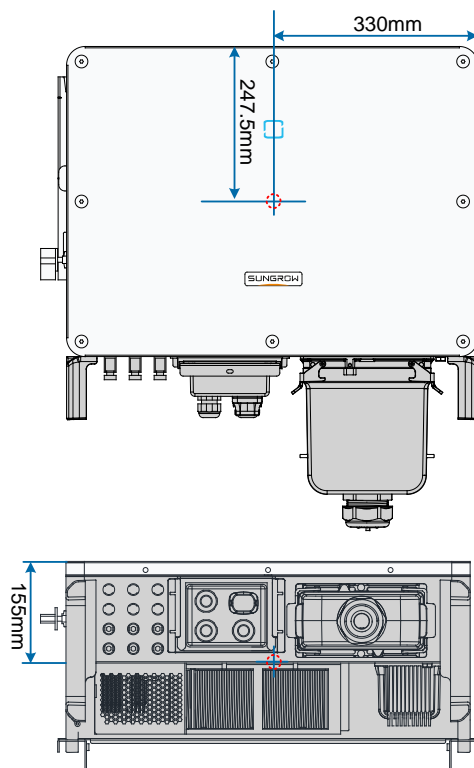


Fig. 3-1 SG30/33CX center of gravity (unit: mm)

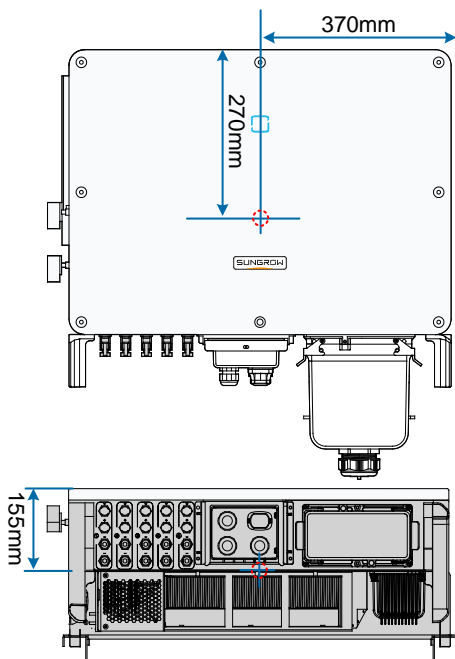


Fig. 3-2 SG25CX-SA/SG40CX/SG50CX center of gravity (unit: mm)

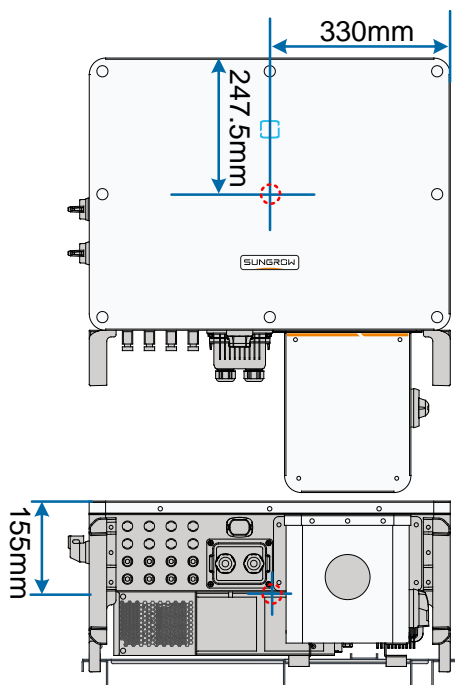


Fig. 3-3 SG36CX-US center of gravity (unit: mm)



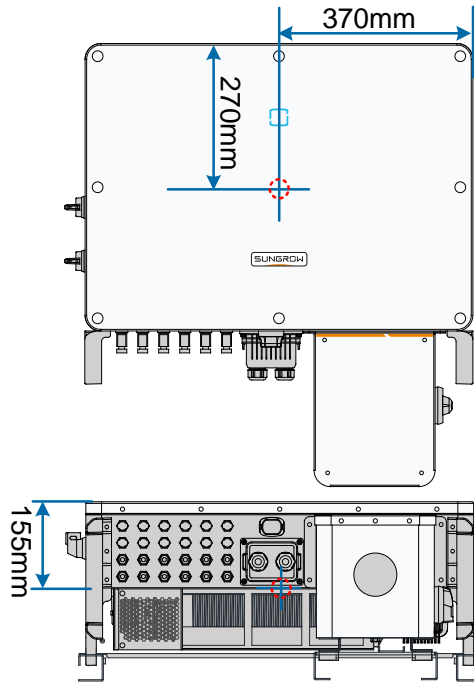


Fig. 3-4 SG60CX-US center of gravity (unit: mm)

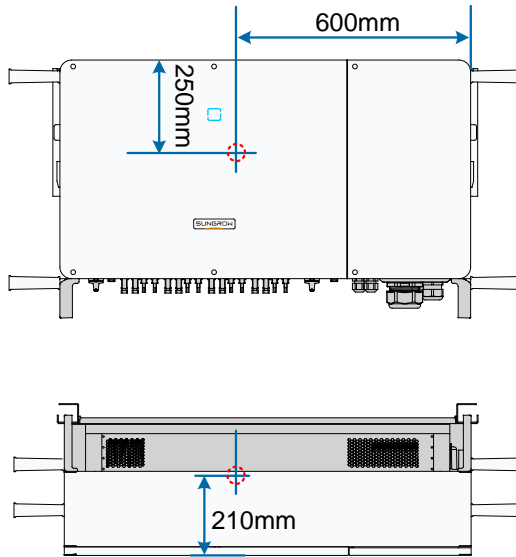


Fig. 3-5 SG60CX-US center of gravity (unit: mm)

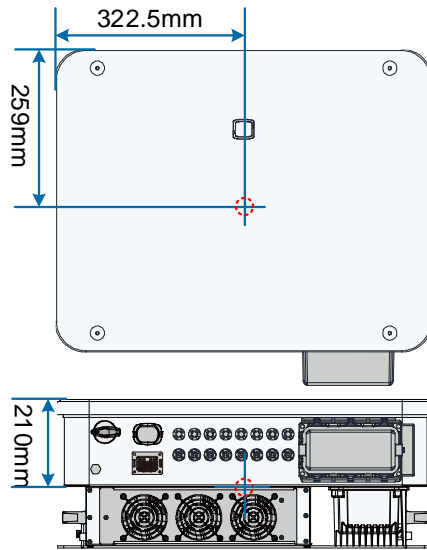


Fig. 3-6 SG25-SG50CX-P2 center of gravity (unit: mm)

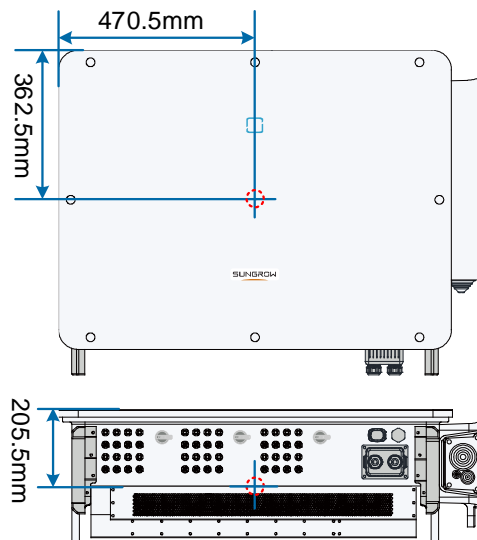


Fig. 3-7 SG75CX-P2/SG110CX-P2/SG125CX-P2 center of gravity (unit: mm)

### 3.4.4 Special requirements for fixed cables

The AC cable enters the AC terminal vertically, and the vertical length of the cable is  $\geq 200\text{mm}$ .

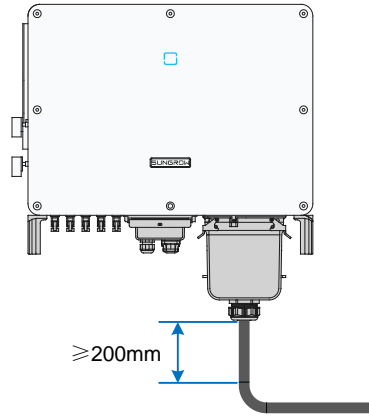


Fig. 3-8 SG25CX-SA/SG30CX/SG33CX/SG40CX/SG50CX

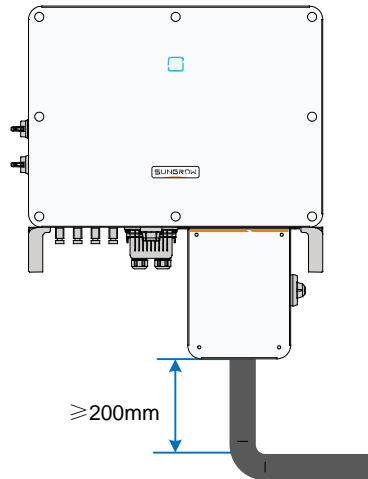


Fig. 3-9 SG36/60CX-US

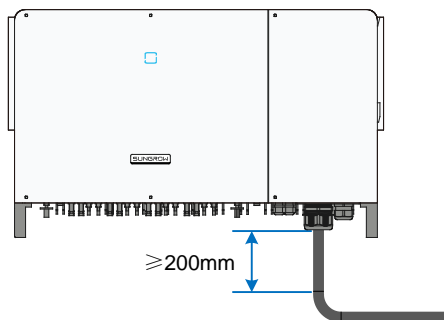


Fig. 3-10 SG100CX/SG110CX/SG136TX

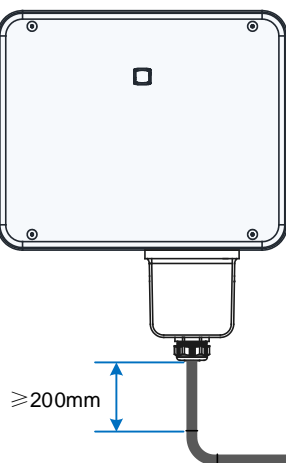


Fig. 3-11 SG25/30/33/36/40/50CX-P2

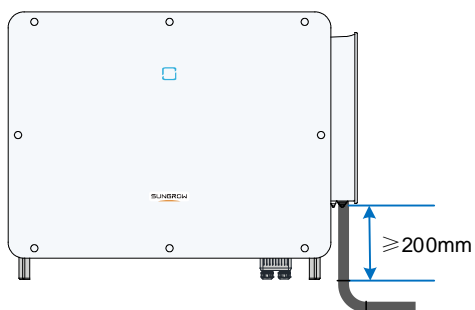


Fig. 3-12 SG75/110/125CX-P2

In order to reduce the relative displacement of the cable, the support, and the floating body, it is necessary to fix the cable on the floating body where the inverter is located.

## 4 Wall Mounting

### 4.1 Application scenario

This is common in distributed rooftop or indoor installation scenarios. When installing on a wall, install it on the side of the wall not facing the sun if at all possible to avoid direct sunlight and install a sunshade if necessary.



### 4.2 Installation spacing requirements

The following spacing requirements are set out to meet the heat dissipation, installation, and maintenance requirements. When electricity meters, small distribution boxes, and other devices need to be installed near the inverter, the spacing can be designed with reference to the space requirements in the appendix.

#### 4.2.1 Spacing for installing an inverter

The inverter shall be installed in an area where there is sufficient space to ensure proper ventilation.

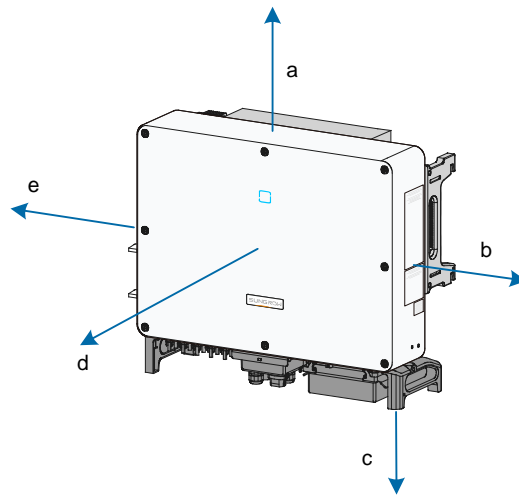


Table 4-1 Minimum mounting spacing (unit: mm)

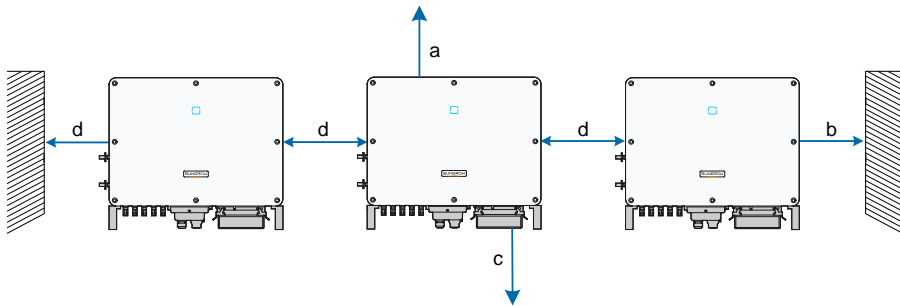
Model	Top (a)	Right (b)	Bottom (c)	Front (d)	Left (e)
SG25CX-SA	500	200	650	1000	600*
SG30/33/40/50CX					
SG36/60CX-US	500	200	650	1000	450*
SG100/110CX					
SG136TX	600	400	450	1000	800*
SG25/30/33/36/40/50CX-P2	500	600	650	1000	600*
SG75/110/125CX-P2	200	600	450	1000	600*

\*The spacing can be reduced to 200mm according to site conditions. When the spacing is less than that specified in the table, the inverter must be lifted off the wall before fan maintenance operations.

#### 4.2.2 Spacing for installing more than one inverter

To install more than one inverter, inline installation is recommended when there is sufficient space, while top and twin-side bottom installation is recommended when there is limited space. We do not recommend you install multiple inverters on top of each other.

**Inline installation (recommended)**



**Table 4-2** Minimum spacing for inline installation (unit: mm)

Model	Top (a)	Right (b)	Bottom (c)	Middle (d)
SG25CX-SA	500	200	650	600
SG30/33/40/50CX				600
SG36/60CX-US	500	200	650	450
SG100/110CX	600	400	450	800
SG136TX				800
SG25/30/33/36/40/50CX-P2	500	600	650	600
SG75/110/125CX-P2	200	600	450	600

**Top and twin-side bottom installation (recommended)**

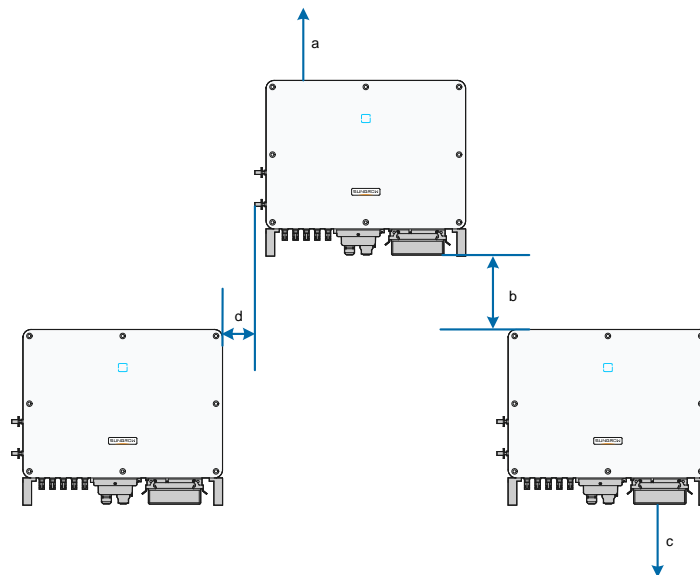


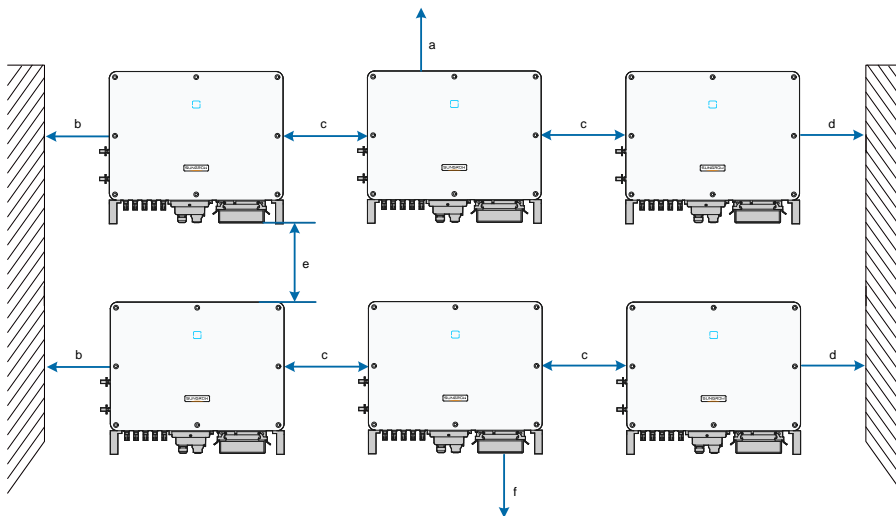
Table 4-3 Minimum spacing for top and twin-side bottom installation (unit: mm)

Model	Top (a)	Top and bottom spacing (b)	Bottom (c)	Left and right spacing (d)
SG25CX-SA				
SG30/33/40/50CX	500	650	650	300
SG36/60CX-US				
SG100/110CX	600	600	450	300
SG136TX				
SG25/30/33/36/40/50CX-P2	500	650	650	300
SG75/110/125CX-P2	200	650	450	300

**Stacking installation (not recommended)**

**NOTICE**

Considering that the inverter dissipates heat through the upper and lower air outlets, the vertical stacking installation method only supports rack installation (where the back of the inverter is not blocked) and does not support wall-mounting scenarios.





**Table 4-4** Minimum spacing for stacking installation (unit: mm)

<b>Model</b>	<b>Top (a)</b>	<b>Left (b)</b>	<b>Middle (c)</b>	<b>Right (d)</b>	<b>Top and bottom spacing (e)</b>	<b>Bottom (f)</b>
SG25CX-SA						
SG30/33/40/50CX	500	450	450	200	650	650
SG36/60CX-US						
SG100/110CX	600	800	800	400	650	400
SG136TX						
SG25/30/33/36/40/50CX-P2	500	600	600	600	850	650
SG75/110/125CX-P2	200	600	600	600	650	450

## 5 Flat Installation

### 5.1 Application scenario

This mounting method is common in scenarios such as concrete roofs or colored steel tile roofs of the plant, where the inverter is nearly lying flat. In such cases, the inverter shall be installed on a flat mounting rack to meet the installation angle requirements. Flat installation is not suitable for floating power plants.

### 5.2 Rack preparation

SUNGROW provides a flat mounting rack. You can order it from SUNGROW if necessary, or design your own according to the rack requirements.

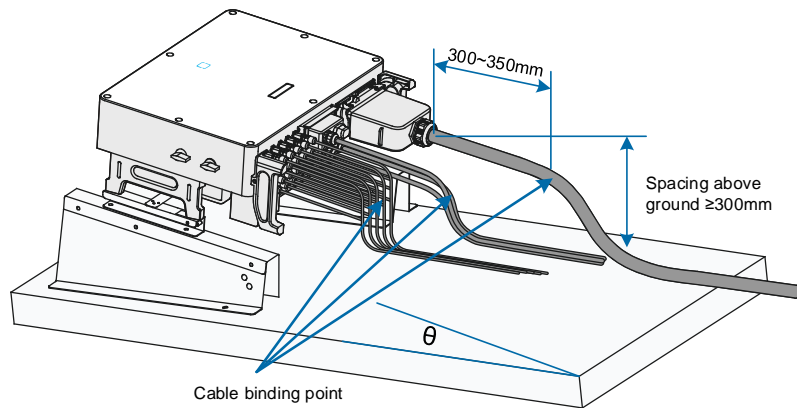
To order a rack from SUNGROW, please provide the product model or rack code.

Model	Rack No.
SG30/33/40/50CX	B-B-003150
SG36/60CX-US	B-B-003742
SG100/110CX	B-B-003140
SG75/110/125CX-P2	B-B-005721

#### 5.2.1 Rack requirements

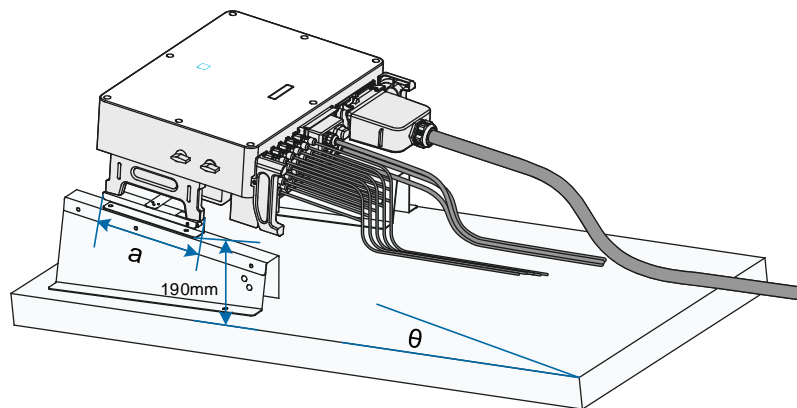
The following factors should be considered when designing the rack scheme:

- Consideration should be given to the climatic conditions at the site, and measures such as protection against rain and snow should be taken when necessary.
- Ensure that the angle  $\theta$  between SG25-50CX-P2 and the horizontal ground is not less than 65°, and the angle  $\theta$  between other inverter models and the horizontal ground is not less than 10°.
- The vertical spacing between the waterproof connector and the ground shall be  $\geq 300\text{mm}$ .
- Cable binding and fixing shall be done at a distance of 300-350mm from the DC connector, AC connector, and communication waterproof connector in order to avoid cable sagging and shaking, which may result in loose waterproof connectors and affect the product's protection grade.



### 5.2.2 Rack dimensions

To ensure that the requirements of the rack can be met, the rack can be designed with reference to the following diagram.



Model	Rack Dimensions (a)
SG30/33/40/50CX	327mm
SG36/60CX-US	327mm
SG100/110CX	327mm
SG75/110/125CX-P2	348mm

### 5.3 Installation spacing requirements

The following spacing requirements are proposed to satisfy the requirements of heat dissipation, installation, and maintenance.

### 5.3.1 Spacing for installing an inverter

The inverter shall be installed in an area where there is sufficient space to ensure proper ventilation.

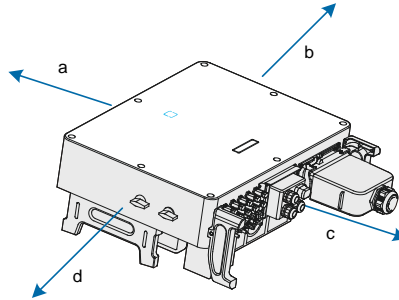


Table 5-1 Minimum mounting spacing (unit: mm)

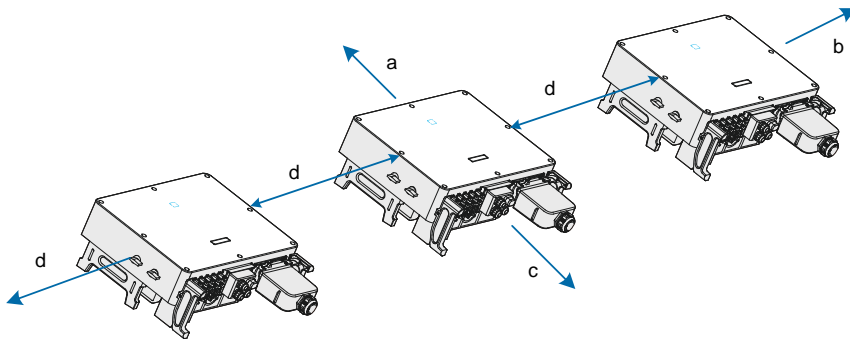
Model	Top (a)	Right (b)	Bottom (c)	Left (d)
SG25CX-SA	500	200	650	600*
SG30/33/40/50CX				
SG36/60CX-US	500	200	650	450*
SG100/110CX	600	400	450	800*
SG136TX				
SG25/30/33/36/40/50CX-P2	500	600	650	600*
SG75/110/125CX-P2	200	600	450	600*

\*The spacing can be reduced to 200mm according to site conditions. When the spacing is less than that specified in the table, the inverter must be lifted off the rack before fan maintenance operations.

### 5.3.2 Spacing for installing more than one inverter

To install more than one inverter, inline installation is recommended when there is sufficient space, while front and rear installation is recommended when there is limited space. If inverters of different power ratings are installed at the same area, make sure to meet the minimum spacing required by each inverter.

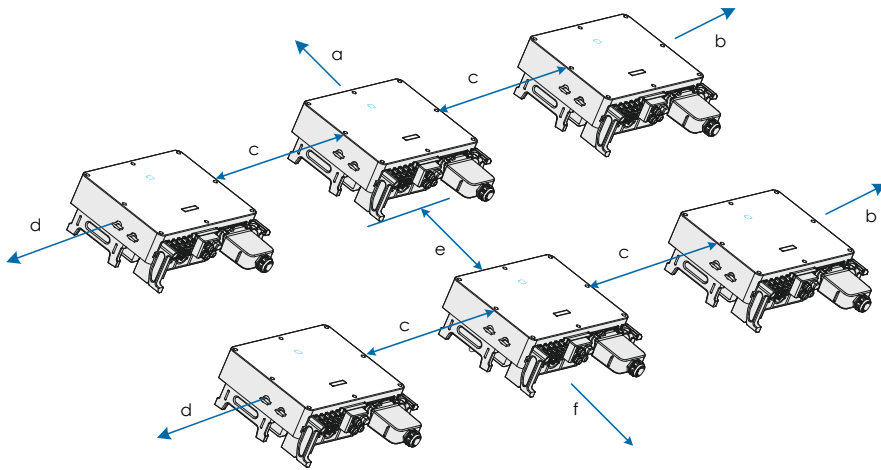
**Inline installation (recommended)**



**Table 5-2** Minimum spacing for inline installation (unit: mm)

<b>Model</b>	<b>Top (a)</b>	<b>Right (b)</b>	<b>Bottom (c)</b>	<b>Middle (d)</b>
SG25CX-SA SG30/33/40/50CX	500	200	650	600
SG36/60CX-US	500	200	650	450
SG100/110CX SG136TX	600	400	450	800
SG25/30/33/36/40/50CX-P2	500	600	650	600*
SG75/110/125CX-P2	200	600	450	600*

**Front and rear installation**



**Table 5-3** Minimum spacing for front and rear installation (unit: mm)

Model	Top (a)	Right (b)	Middle (c)	Left (d)	Top and bottom spacing (e)	Bottom (f)
SG25CX-SA						
SG30/33/40/50CX	500	200	450	450	1000	650
SG36/60CX-US						
SG100/110CX	600	400	800	800	1000	400
SG136TX						
SG25/30/33/36/40/50CX-P2	500	600	600	600	850	650
SG75/110/125CX-P2	200	600	600	600	650	450

## 6 Sunshade

### 6.1 Top sunshade

The top sunshade is suitable for vertical rack mounting and wall-mounting scenarios.

#### 6.1.1 Precautions

- In order to ensure good shading, we recommend that the front of the inverter is not exposed to the sun.
- The inverter air outlet may not be blocked.
- The sunshade design and selected materials should take wind, rain, snow, shock, and corrosion resistance into consideration.
- The sunshade can be fixed on the beam or wall where the inverter is mounted.

#### 6.1.2 Sunshade dimensions

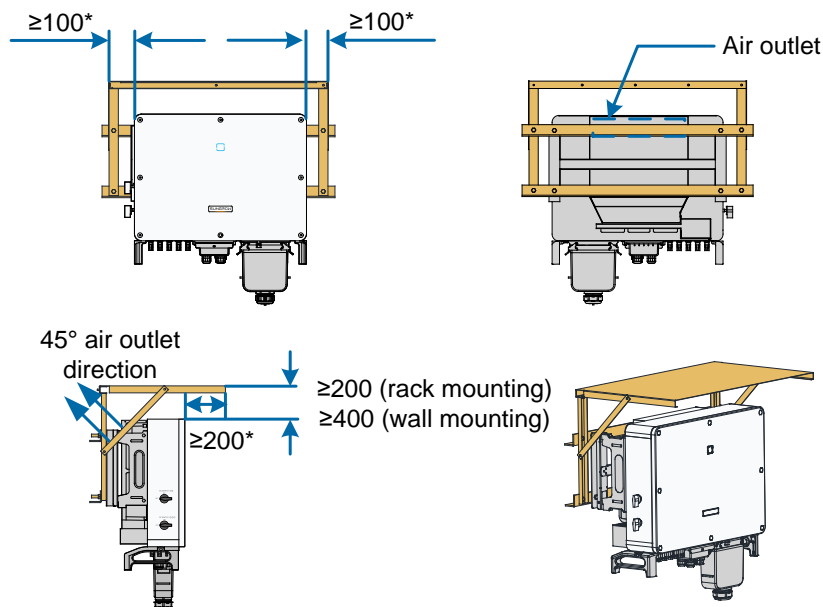


Fig. 6-1 SG25CX-SA/SG30CX/SG33CX/SG40CX/SG50CX sunshade dimension drawing (unit: mm)

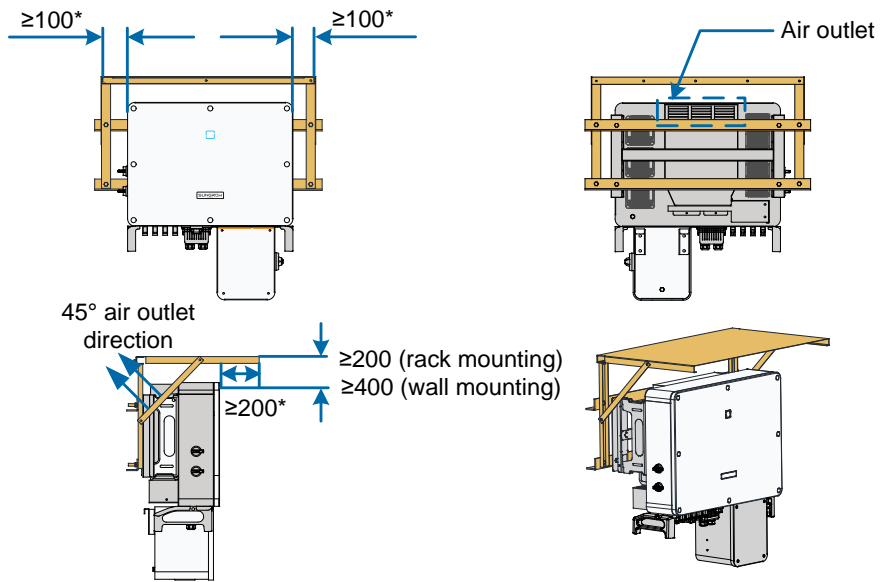


Fig. 6-2 SG36/60CX-US sunshade dimension drawing (unit: mm)

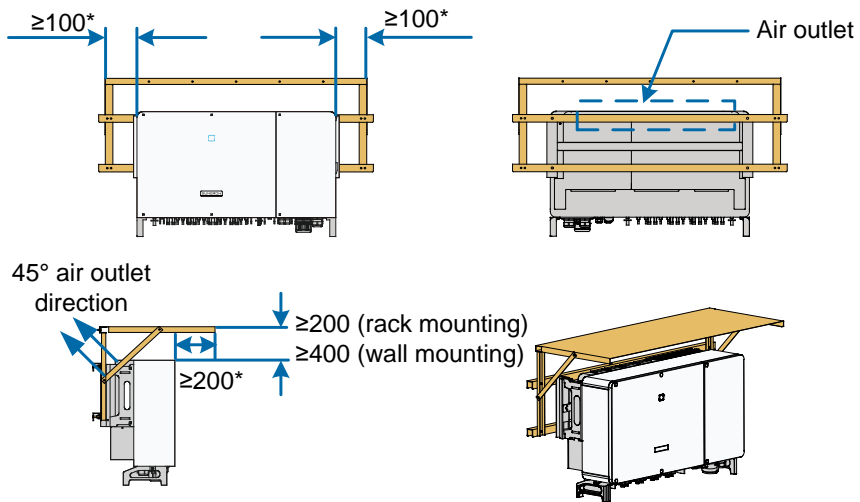


Fig. 6-3 SG100CX/SG110CX/SG136TX sunshade dimension drawing (unit: mm)

Note: Values marked with \* are recommended values. Those not marked with \* are mandatory values. Values can be adjusted according to the actual situation on site.

## 6.2 Flat Sunshade

Flat sunshades are suitable for inverters using the flat installation method.



### 6.2.1 Precautions

- The inverter air outlet may not be blocked.
- The sunshade design and selected materials should take wind, rain, snow, shock, and corrosion resistance into consideration.
- The sunshade can be fixed on the support beam or base where the inverter is installed.
- For ease of maintenance, the sunshade must be designed as a removable structure and must not be welded to the mounting rack.

### 6.2.2 Sunshade dimensions

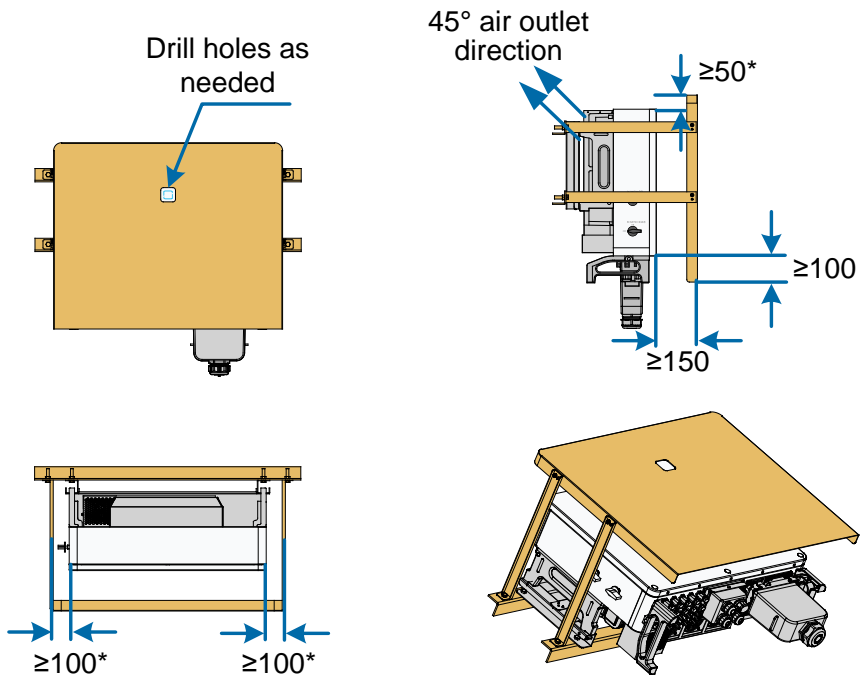


Fig. 6-4 SG25CX-SA/SG30CX/SG33CX/SG40CX/SG50CX sunshade dimension drawing (unit: mm)

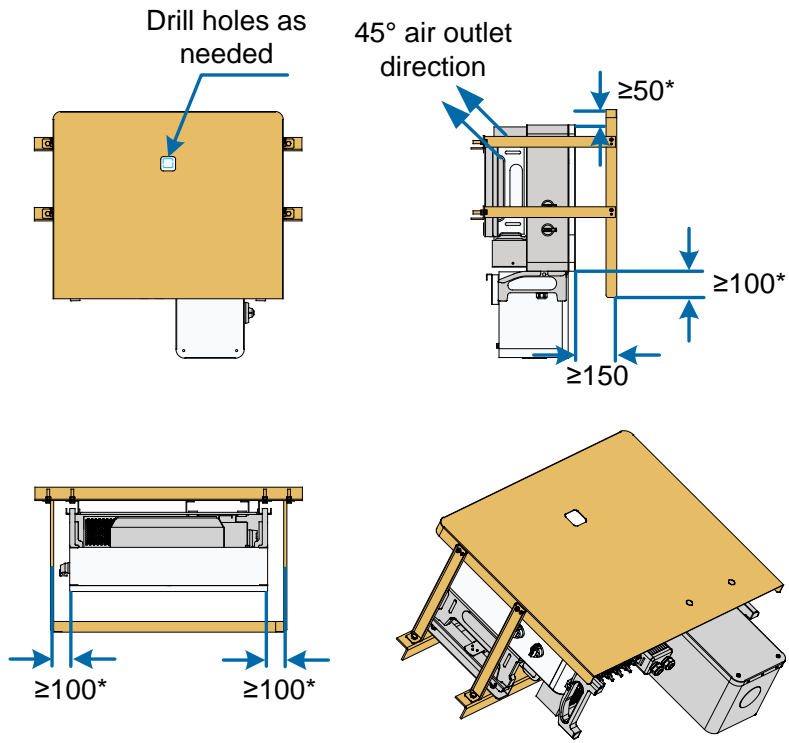


Fig. 6-5 SG36/60CX-US sunshade dimension drawing (unit: mm)

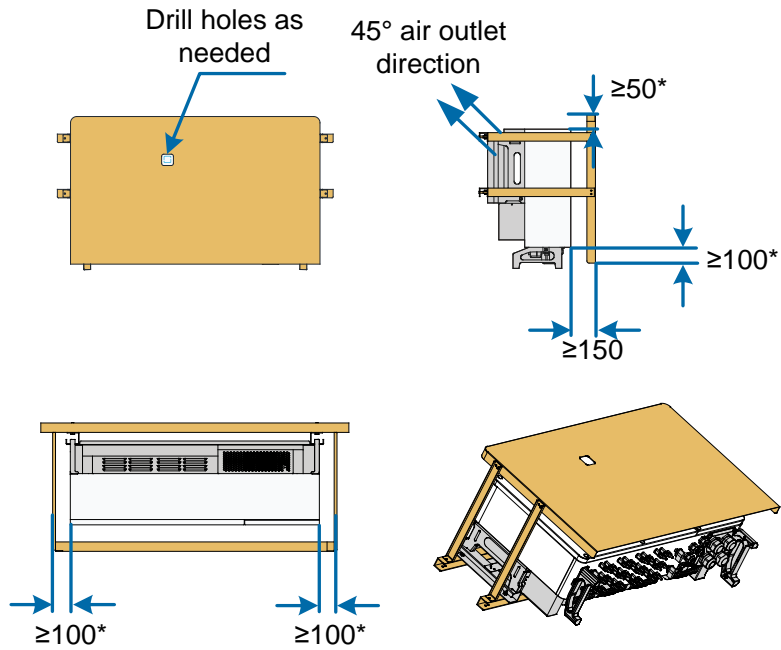


Fig. 6-6 SG100CX/SG110CX/SG136TX sunshade dimension drawing (unit: mm)

Note: Values marked with \* are recommended values. Those not marked with \* are mandatory values. Values can be adjusted according to the actual situation on site.

## 7 Appendix

### 7.1 Uncovering

The electrical wiring of the following inverter models would be carried out in the junction box. When installing the inverter, reserve sufficient space for electrical wiring and maintenance.

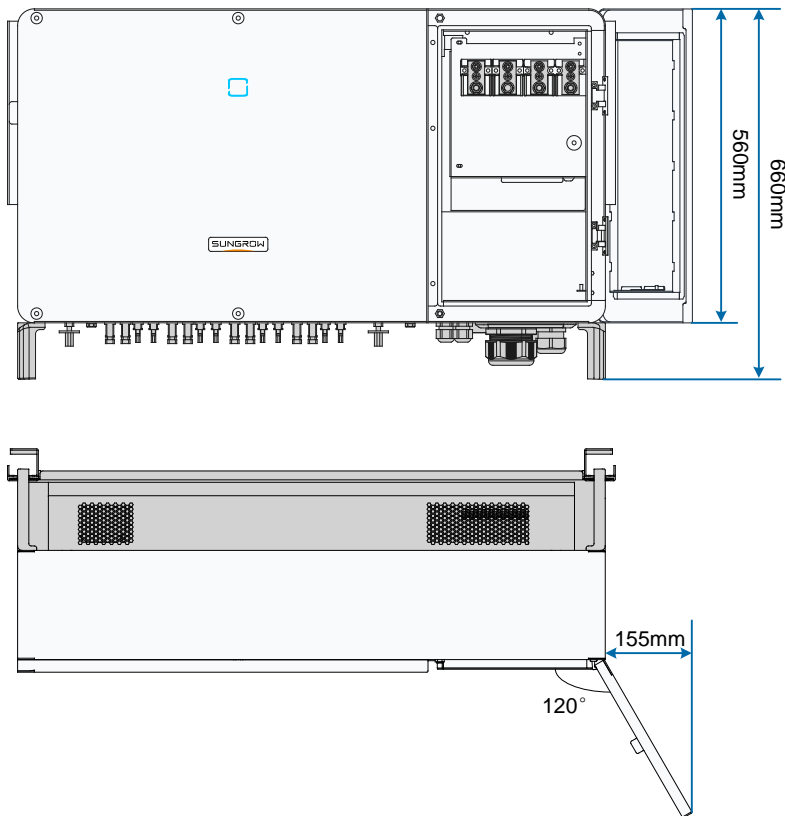


Fig. 7-1 SG100CX/SG110CX/SG136TX

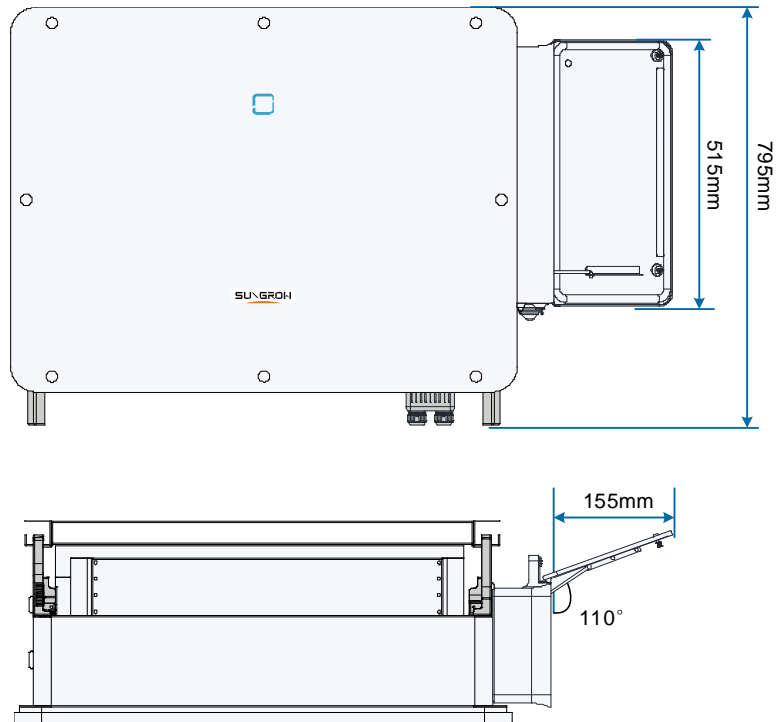


Fig. 7-2 SG125/110/75CX-P2

## 7.2 Fan Maintenance

For ease of fan maintenance, sufficient space must be reserved when installing the inverter.

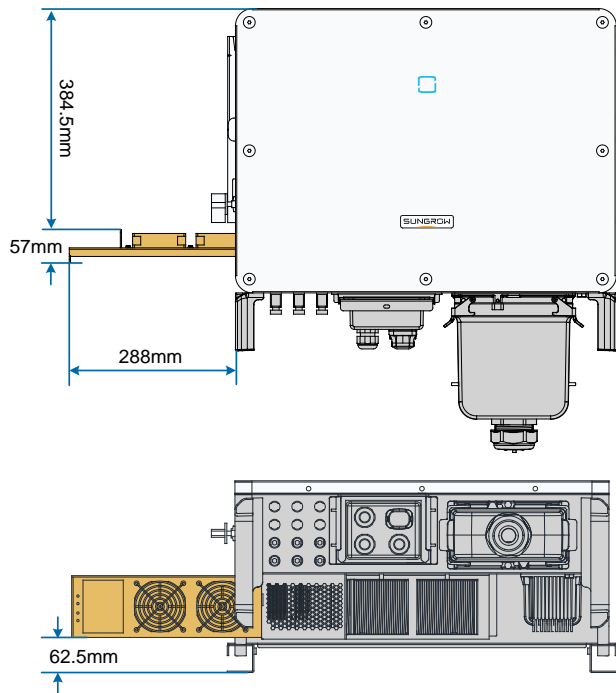


Fig. 7-3 SG30/33CX fan dimension drawing (unit: mm)

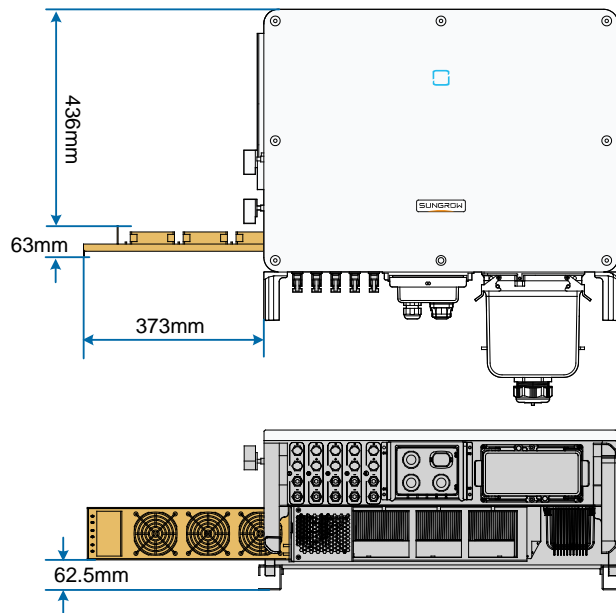


Fig. 7-4 SG25CX-SA/SG40CX/SG50CX fan dimension drawing (unit: mm)

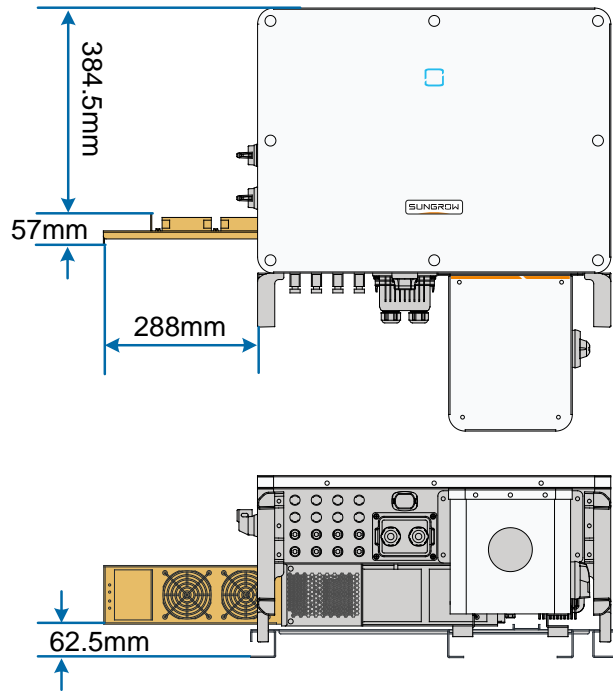


Fig. 7-5 SG36CX-US fan dimension drawing (unit: mm)

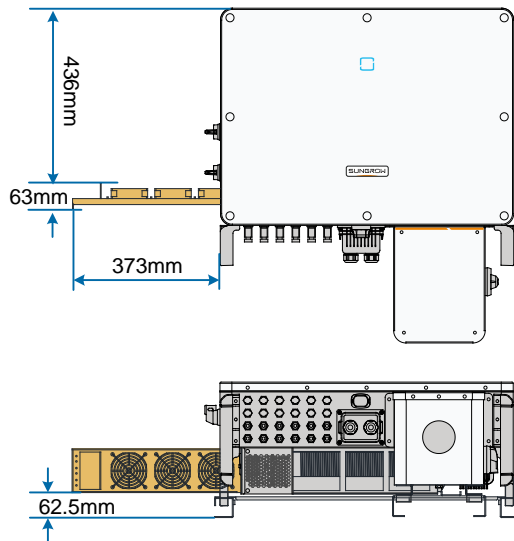


Fig. 7-6 SG60CX-US fan dimension drawing (unit: mm)

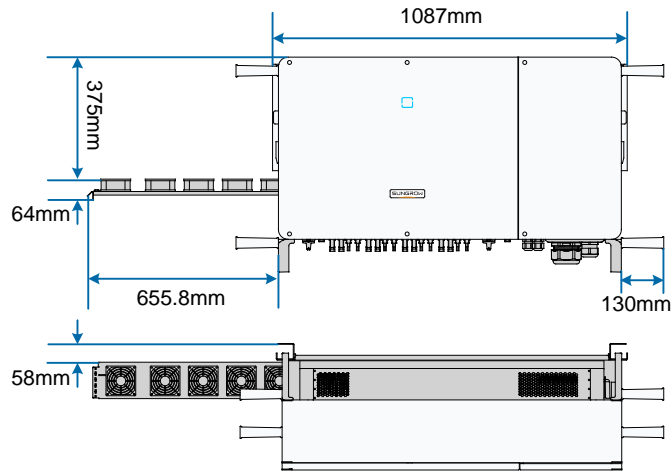


Fig. 7-7 SG100CX/SG110CX/SG136TX fan dimension drawing (unit: mm)

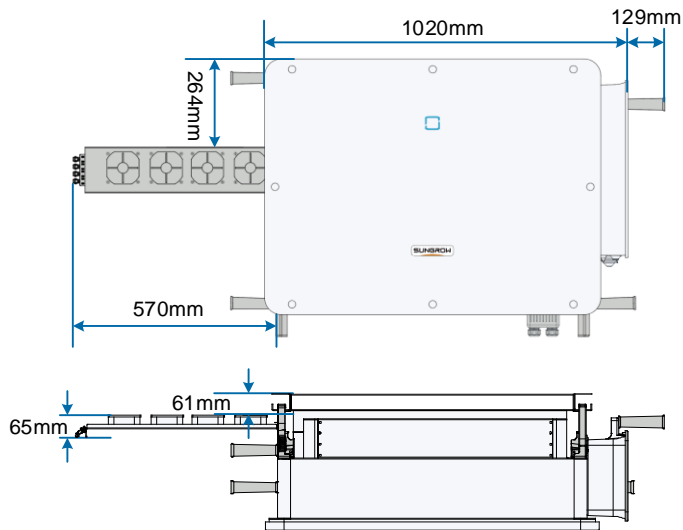
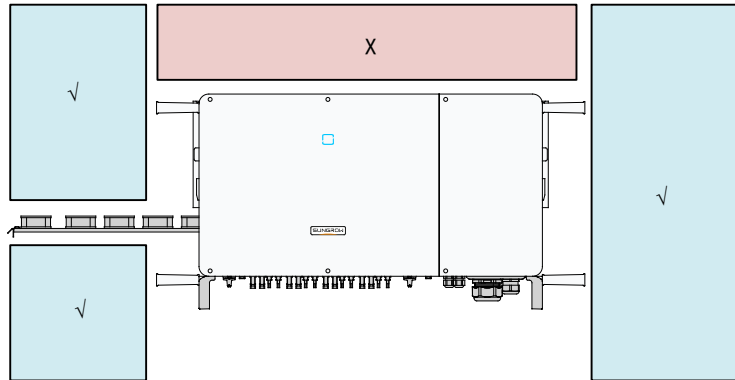


Fig. 7-8 SG125/110/75CX-P2 fan dimension drawing (unit: mm)

### 7.3 Spacing requirements for installing other devices

Because the air outlet is on the back of the inverter, when installing meters, small distribution boxes, and other devices near the inverter, you must reserve the necessary space according to the fan dimension drawing. Refer to the " Fan Maintenance" for the fan dimension drawing. No other devices may be installed near the inverter fan.





Note: x indicates that no other devices can be installed at this location. ✓ indicates that other devices can be installed at this location.