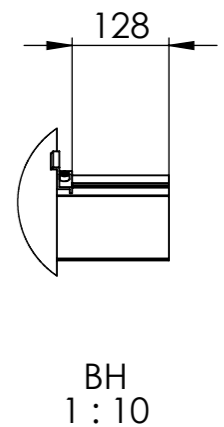
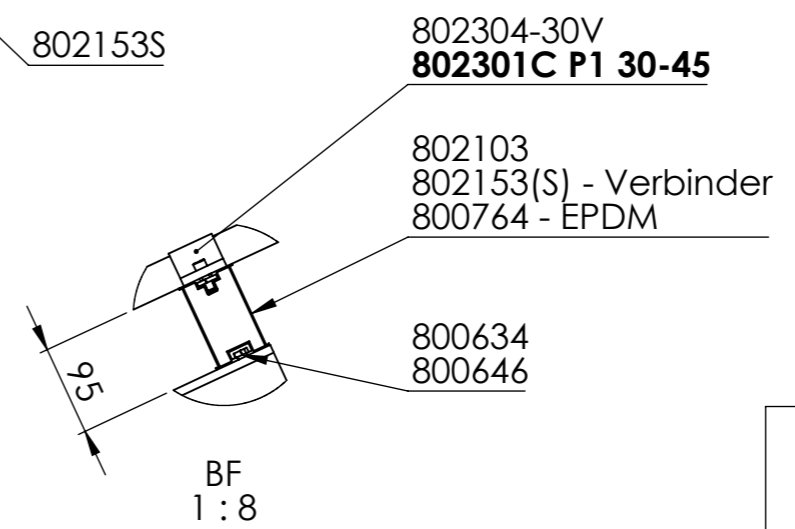
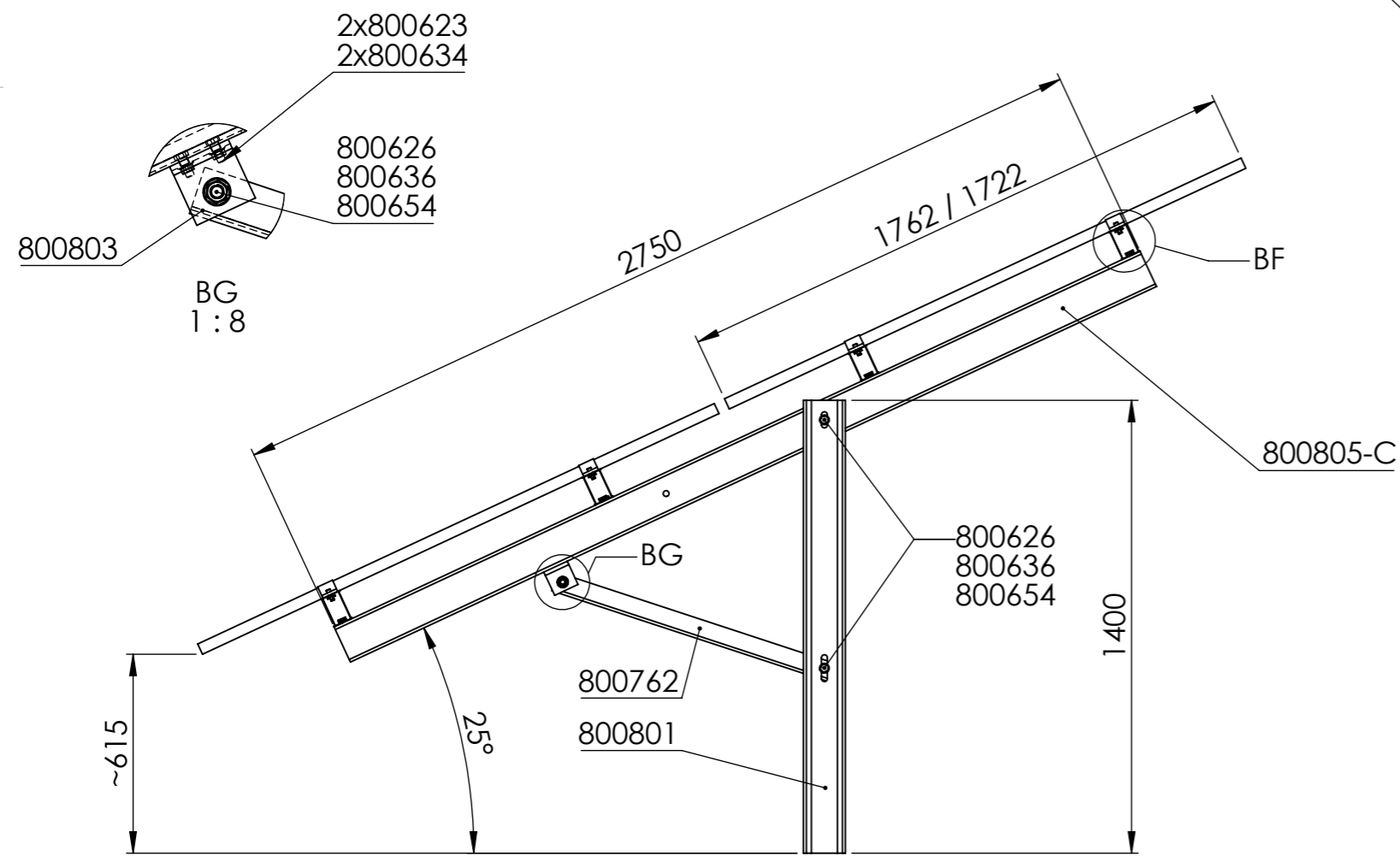
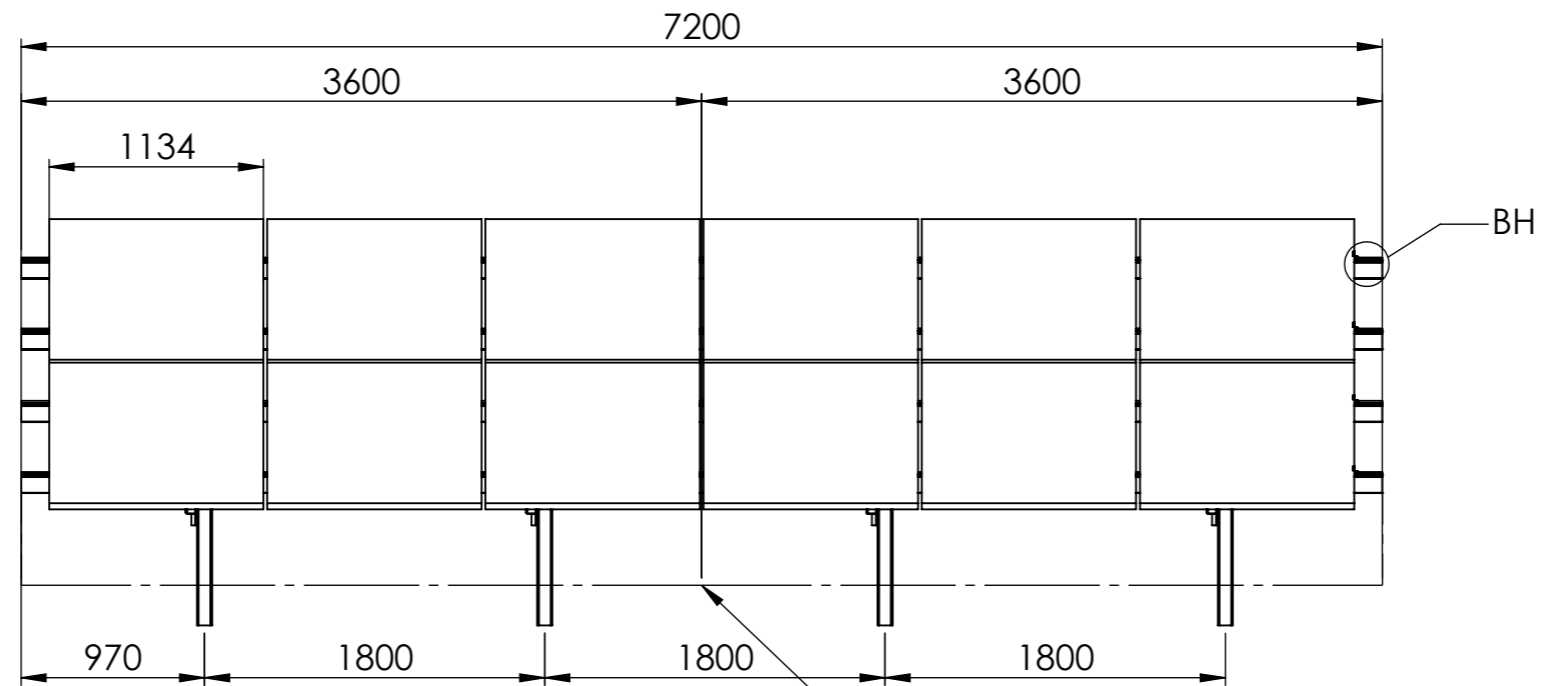


# Tisch 2x6 gerammt - Alpine Version



Schneelast: **sk = 2.80 kN/m<sup>2</sup>**  
 Windlast: **qp = 0.65 kN/m<sup>2</sup>**

| Kąt / Winkel / Angle | Otwór (od środka) / Loch (von innen) / Hole (from the center) |
|----------------------|---|
| 10°                  | 1-2   |
| 12,5°                | 2-3   |
| 15°                  | 3-4   |
| 17,5°                | 4-5   |
| 20°                  | 5-6   |
| 22,5°                | 6-7   |
| <b>25°</b>           | <b>7-8</b>  |
| 27,5°                | 8-9   |
| 30°                  | 9-10  |



|                        |
|------------------------|
| INDEKS/INDEX: -        |
| <b>2x6 - 2x20</b>      |
| AUTOR: Szymon Pluta    |
| DATA/DATUM: 24.04.2023 |

|                                   |    |
|-----------------------------------|----|
| PROJEKT: Freiland kits für Memodo | A3 |
|-----------------------------------|----|